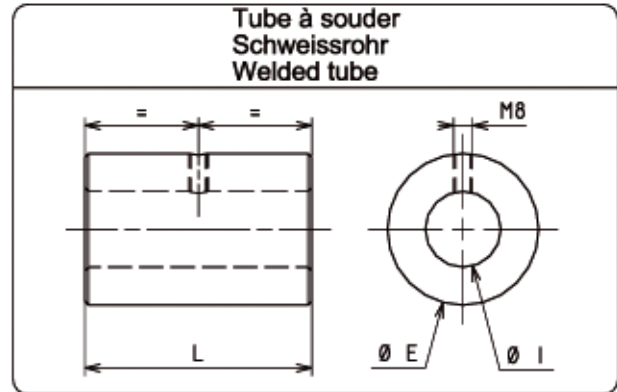
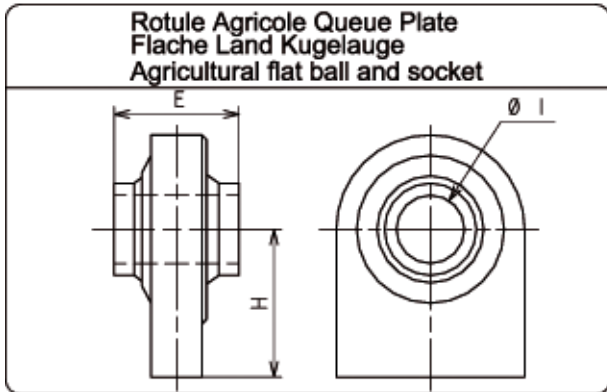
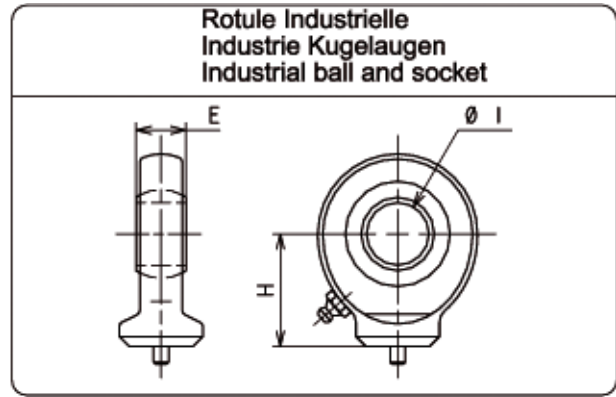
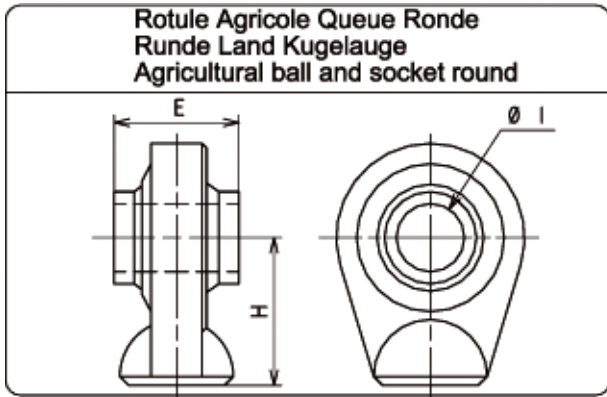


PIECES STANDARDS A SOUDER
 STANDART SCHWEISSTEILEN
 STANDARD PARTS TO WELD



REFERENCE REFERENZ REFERENCE	DESIGNATION BESCHREIBUNG DESIGNATION	ENCOMBREMENT MASS DIMENSION			
		I	H	E	L
		RAASQR 19,2-A	ROTULE AGRICOLE QUEUE RONDE RUNDE LAND KUGELAUGE AGRICULTURAL BALL AND SOCKET ROUND	19	60
RAASQR 22,5-A	22	65		35	
RAASQR 25,4-A	25,4	65		50	
RAASQR 30-A	30	65		55	
RAASQR 35-A	35	65		55	
RAASQP 19,2-A	ROTULE AGRICOLE QUEUE PLATE FLACHE LAND KUGELAUGE AGRICULTURAL FLAT BALL AND SOCKET	19	34	44	
RAASQP 25,4-A		25,4	55	35	
GK 20 DO	ROTULE INDUSTRIELLE INDUSTRIE KUGELAUGEN INDUSTRIAL BALL AND SOCKET	20	38	16	
GK 25 DO		25	45	20	
GK 30 DO		30	51	22	
GK 35 DO		35	61	25	
TE 20 35 45 A	TENON SCHWEISSROHR WELDED TUBE	20,2		35	45
TE 25 40 50 A		25,2		40	50
TE 25 40 60 A		25,2		40	60
TE 25 50 70 A		25,2		50	70
TE 30 50 70 A		30,2		50	70
TE 25 50 80 A		25,2		50	80
TE 30 50 80 A		30,2		50	80
TE 25 50 90 A		25,2		50	90
TE 30 60 90 A		30,2		60	90
TE 30 60 100 A		30,2		60	100
TE 30 60 115 A	30,2	60	115		