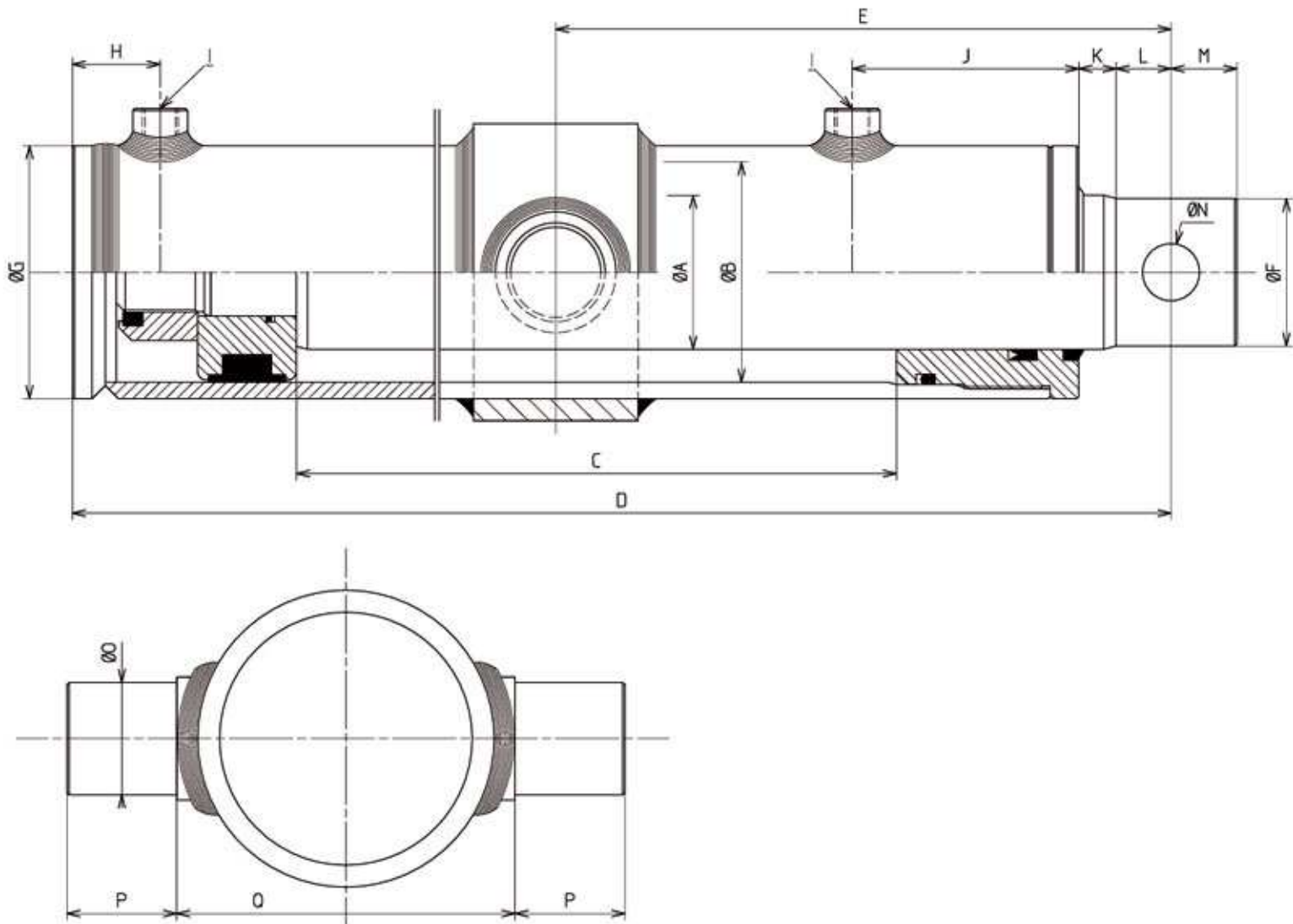


VERIN DOUBLE EFFET A TOURILLONS TYPE "FENDEUSE"
DOPPELTWIRKENDER HOLZSPALTZILINDER
DOUBLE ACTING CYLINDER "WOOD SPLITTER" MODEL



REFERENCE	TYPE		FORCE DE POUSSEE DRUCK KRAFT PUSHING PRESSURE	COURSE C HUB C STROKE C	ENCOMBREMENT MASS DIMENSION														
	TYP	TYPE			Ø A	Ø B	D	E	F	G	H	I	J	K	L	M	N	O	P
REFERENZ			180 BARS																
REFERENCE	Tige Stange Rod	Alésage Bohrung Cylinder bore	180 BARS																
A11241	45	90	11T 450	1000	1196	165	42	100	34	3/8 g	60	20	25	25	20,25	40	40	135	
A11242	50	100	14T 135	1000	1229	195	47	115	39	3/8 g	83	20	30	30	25,25	45	45	160	
A11243	70	120	20T 355	1000	1235	200	67	140	39	1/2 g	83	20	30	30	25,25	50	50	180	