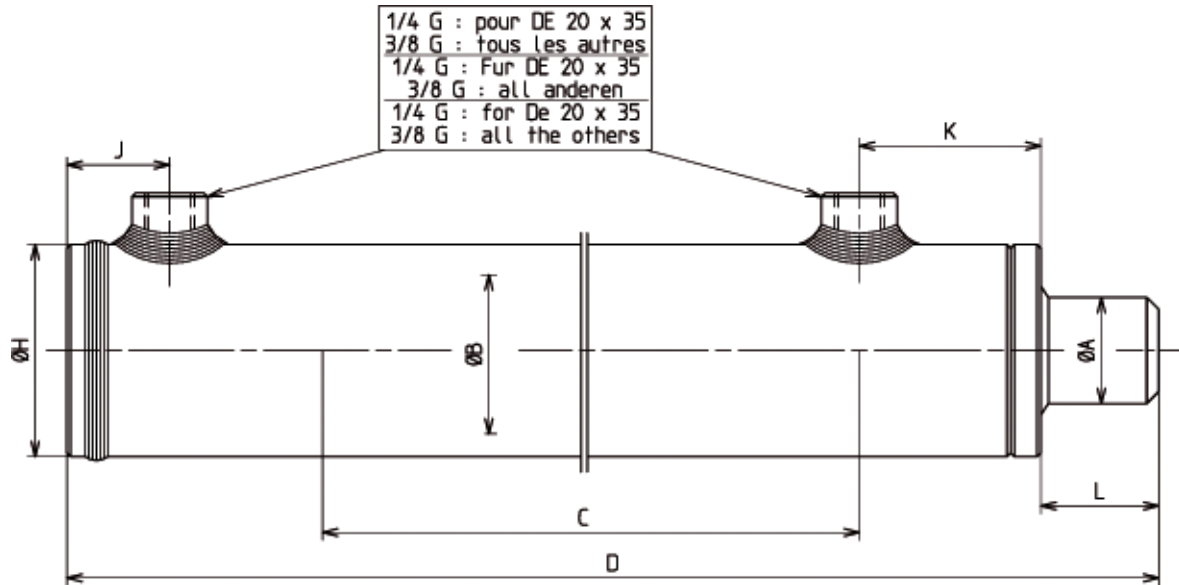


VERIN DOUBLE EFFET TIGE NUE / FOND NU
ZYLINDER OHNE BEFESTIGUNG
CYLINDER WITHOUT ANY FITTING ELEMENTS



REFERENCE REFERENZ REFERENCE	TYPE TYP TYPE		FORCE DE POUSSEE DRUCK KRAFT	FORCE DE TRACTION ZUG KRAFT	COURSE C HUB C STROKE C	ENCOMBREMENT				
	Ø Tige A Ø Stange A Ø Rod A	Ø Alésage B Ø Bohrung B Ø Cylinder bore B	180 Bars	180 Bars		MASS				
			180 Bars	180 Bars		DIMENSION				
			180 Bars	180 Bars		D	H	J	K	L
2035-0100NE	20	35	1T 732	1T 166	100	230	45	30	49	21
2035-0150NE					150	280				
2035-0200NE					200	330				
2035-0250NE					250	380				
2035-0300NE					300	430				
2035-0350NE					350	480				
2035-0400NE					400	530				
2035-0450NE					450	580				
2035-0500NE					500	630				
2540-0100NE	25	40	2T 262	1T 378	100	230	50	28	32	19
2540-0150NE					150	280				
2540-0200NE					200	330				
2540-0250NE					250	380				
2540-0300NE					300	430				
2540-0350NE					350	480				
2540-0400NE					400	530				
2540-0450NE					450	580				
2540-0500NE					500	630				
2540-0550NE					550	680				
2540-0600NE					600	730				

REFERENCE REFERENZ REFERENCE	TYPE TYP TYPE		FORCE DE POUSSEE DRUCK KRAFT	FORCE DE TRACTION ZUG KRAFT	COURSE C HUB C STROKE C	ENCOMBREMENT MASS DIMENSION				
	Ø Tige A Ø Stange A Ø Rod A	Ø Alésage B Ø Bohrung B Ø Cylinder bore B	180 Bars	180 Bars		D	H	J	K	L
			180 Bars	180 Bars						
3050-0100NE	30	50	3T 534	2T 262	100	240	60	34	50	19
3050-0150NE					150	290				
3050-0200NE					200	340				
3050-0250NE					250	390				
3050-0300NE					300	440				
3050-0350NE					350	490				
3050-0400NE					400	540				
3050-0450NE					450	590				
3050-0500NE					500	640				
3050-0550NE					550	690				
3050-0600NE					600	740				
3050-0650NE					650	790				
3050-0700NE					700	840				
3050-0750NE					750	890				
3050-0800NE					800	940				
3050-0850NE					850	990				
3050-0900NE					900	1040				
3050-0950NE					950	1090				
3050-1000NE	1000	1140								
3060-0100NE	30	60	5T 089	3T 817	100	260	70	34	60	19
3060-0150NE					150	310				
3060-0200NE					200	360				
3060-0250NE					250	410				
3060-0300NE					300	460				
3060-0350NE					350	510				
3060-0400NE					400	560				
3060-0450NE					450	610				
3060-0500NE					500	660				
3060-0550NE					550	710				
3060-0600NE					600	760				
3060-0650NE					650	810				
3060-0700NE					700	860				
3060-0750NE					750	910				
3060-0800NE					800	960				
3060-0850NE					850	1010				
3060-0900NE					900	1060				
3060-0950NE					950	1110				
3060-1000NE	1000	1160								

REFERENCE	TYPE		FORCE DE POUSSEE	FORCE DE TRACTION	COURSE C	ENCOMBREMENT					
	TYP		DRUCK KRAFT	ZUG KRAFT		HUB C	MASS				
	TYPE		PUSHING PRESSURE	PULLING PRESSURE			STROKE C	DIMENSION			
REFERENZ	Ø Tige A Ø	Ø Alésage B Ø	180 Bars								
REFERENCE	Stange A Ø	Bohrung B Ø	180 Bars				D				
	Rod A	Cylinder bore B	180 Bars								
3560-0100NE	35	60	5T 089	3T 357	100	260	70	34	60	19	
3560-0150NE					150	310					
3560-0200NE					200	360					
3560-0250NE					250	410					
3560-0300NE					300	460					
3560-0350NE					350	510					
3560-0400NE					400	560					
3560-0450NE					450	610					
3560-0500NE					500	660					
3560-0550NE					550	710					
3560-0600NE					600	760					
3560-0650NE					650	810					
3560-0700NE					700	860					
3560-0750NE					750	910					
3560-0800NE					800	960					
3560-0850NE					850	1010					
3560-0900NE					900	1060					
3560-0950NE					950	1110					
3560-1000NE					1000	1160					
4060-0100NE					40	60					5T 089
4060-0150NE	150	310									
4060-0200NE	200	360									
4060-0250NE	250	410									
4060-0300NE	300	460									
4060-0350NE	350	510									
4060-0400NE	400	560									
4060-0450NE	450	610									
4060-0500NE	500	660									
4060-0550NE	550	710									
4060-0600NE	600	760									
4060-0650NE	650	810									
4060-0700NE	700	860									
4060-0750NE	750	910									
4060-0800NE	800	960									
4060-0850NE	850	1010									
4060-0900NE	900	1060									
4060-0950NE	950	1110									
4060-1000NE	1000	1160									

REFERENCE REFERENZ REFERENCE	TYPE TYP TYPE		FORCE DE POUSSEE DRUCK KRAFT	FORCE DE TRACTION ZUG KRAFT	COURSE C HUB C STROKE C	ENCOMBREMENT				
	Ø Tige A Ø Stange A Ø Rod A	Ø Alésage B Ø Bohrung B Ø Cylinder bore B	180 Bars			D	H	J	K	L
			180 Bars							
		180 Bars								
3070-0150NE	30	70	6T 926	5T 654	150	310	80	34	60	19
3070-0200NE					200	360				
3070-0250NE					250	410				
3070-0300NE					300	460				
3070-0350NE					350	510				
3070-0400NE					400	560				
3570-0100NE	35	70	6T 926	5T 195	100	260	80	34	60	19
3570-0150NE					150	310				
3570-0200NE					200	360				
3570-0250NE					250	410				
3570-0300NE					300	460				
3570-0350NE					350	510				
3570-0400NE					400	560				
3570-0450NE					450	610				
3570-0500NE					500	660				
3570-0550NE					550	710				
3570-0600NE					600	760				
3570-0650NE					650	810				
3570-0700NE					700	860				
3570-0750NE					750	910				
3570-0800NE					800	960				
3570-0850NE					850	1010				
3570-0900NE					900	1060				
3570-0950NE					950	1110				
3570-1000NE	1000	1160								

REFERENCE	TYPE		FORCE DE POUSSEE	FORCE DE TRACTION	COURSE C	ENCOMBREMENT					
	TYP		DRUCK KRAFT	ZUG KRAFT		HUB C	MASS				
	TYPE		PUSHING PRESSURE	PULLING PRESSURE			STROKE C	DIMENSION			
REFERENZ	Ø Tige A Ø	Ø Alésage B Ø	180 Bars								
REFERENCE	Stange A Ø	Bohrung B Ø	180 Bars								
	Rod A	Cylinder bore B	180 Bars				D				
4070-0100NE	40	70	6T 926	4T 665	100	260	80	34	60	19	
4070-0150NE					150	310					
4070-0200NE					200	360					
4070-0250NE					250	410					
4070-0300NE					300	460					
4070-0350NE					350	510					
4070-0400NE					400	560					
4070-0450NE					450	610					
4070-0500NE					500	660					
4070-0550NE					550	710					
4070-0600NE					600	760					
4070-0650NE					650	810					
4070-0700NE					700	860					
4070-0750NE					750	910					
4070-0800NE					800	960					
4070-0850NE					850	1010					
4070-0900NE					900	1060					
4070-0950NE	950	1110									
4070-1000NE	1000	1160									
3080-0150NE	30	80	9T 047	7T 774	150	330	90	34	60	34	
3080-0200NE					200	380					
3080-0250NE					250	430					
3080-0300NE					300	480					
3580-0150NE	35	80	9T 047	7T 315	150	330	90	34	60	34	
3580-0200NE					200	380					
3580-0250NE					250	430					
3580-0300NE					300	480					

REFERENCE	TYPE		FORCE DE POUSSEE	FORCE DE TRACTION	COURSE C	ENCOMBREMENT					
	TYP		DRUCK KRAFT	ZUG KRAFT		HUB C	MASS				
	TYPE		PUSHING PRESSURE	PULLING PRESSURE			DIMENSION				
REFERENZ	∅ Tige A ∅	∅ Alésage B ∅	180 Bars		STROKE C	D	H	J	K	L	
REFERENCE	Stange A ∅	Bohrung B ∅	180 Bars								
	Rod A	Cylinder bore B	180 Bars								
4080-0100NE	40	80	9T 047	6T 785	100	280	90	34	60	34	
4080-0150NE					150	330					
4080-0200NE					200	380					
4080-0250NE					250	430					
4080-0300NE					300	480					
4080-0350NE					350	530					
4080-0400NE					400	580					
4080-0450NE					450	630					
4080-0500NE					500	680					
4080-0550NE					550	730					
4080-0600NE					600	780					
4080-0650NE					650	830					
4080-0700NE					700	880					
4080-0750NE					750	930					
4080-0800NE					800	980					
4080-0850NE					850	1030					
4080-0900NE					900	1080					
4080-0950NE	950	1130									
4080-1000NE	1000	1180									
5080-0200NE	50	80	9T 047	5T 513	200	380	90	34	60	29	
5080-0250NE					250	430					
5080-0300NE					300	480					
5080-0350NE					350	530					
5080-0400NE					400	580					
5080-0450NE					450	630					
5080-0500NE					500	680					
5080-0550NE					550	730					
5080-0600NE					600	780					
5080-0650NE					650	830					
5080-0700NE					700	880					
5080-0750NE					750	930					
5080-0800NE					800	980					
5080-0850NE					850	1030					
5080-0900NE					900	1080					
5080-0950NE					950	1130					
5080-1000NE					1000	1180					

REFERENCE REFERENZ REFERENCE	TYPE TYP TYPE		FORCE DE POUSSEE DRUCK KRAFT	FORCE DE TRACTION ZUG KRAFT	COURSE C HUB C STROKE C	ENCOMBREMENT				
	Ø Tige A Ø Stange A Ø Rod A	Ø Alésage B Ø Bohrung B Ø Cylinder bore B	180 Bars			D	H	J	K	L
			180 Bars							
		180 Bars								
5090-0200NE	50	90	11T 450	7T 916	200	380	100	34	60	29
5090-0250NE					250	430				
5090-0300NE					300	480				
5090-0350NE					350	530				
5090-0400NE					400	580				
5090-0450NE					450	630				
5090-0500NE					500	680				
5090-0550NE					550	730				
5090-0600NE					600	780				
5090-0650NE					650	830				
5090-0700NE					700	880				
5090-0750NE					750	930				
5090-0800NE					800	980				
5090-0850NE					850	1030				
5090-0900NE					900	1080				
5090-0950NE					950	1130				
5090-1000NE					1000	1180				
50100-0200NE	50	100	14T 135	10T 601	200	410	115	34	83	36
50100-0250NE					250	460				
50100-0300NE					300	510				
50100-0350NE					350	560				
50100-0400NE					400	610				
50100-0450NE					450	660				
50100-0500NE					500	710				
50100-0550NE					550	760				
50100-0600NE					600	810				
50100-0650NE					650	860				
50100-0700NE					700	910				
50100-0750NE					750	960				
50100-0800NE					800	1010				
50100-0850NE					850	1060				
50100-0900NE					900	1110				
50100-0950NE					950	1160				
50100-1000NE					1000	1210				